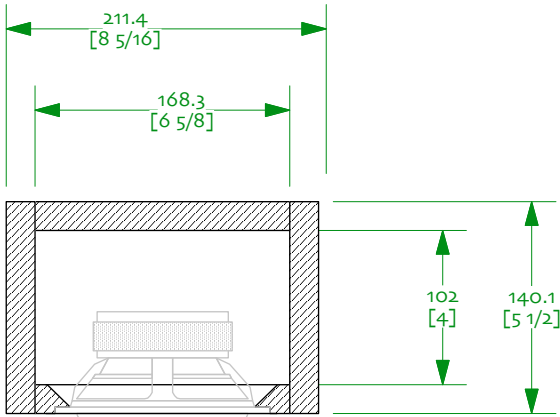




Simple W14 ML-TL 1v0  
Silver Flute W14 | 18mm plan  
designed by S Lindgren, D Dlugos  
drawn by dld | 05-february-2021  
© 2017-2021 Woden Design



0/ 3/4" material, quality plywood recommended  
1/ Line top, back & one sidewall ultratouch or similar & adjust as inclination strikes.  
2/a stabilizing plinth is recommended.  
Vent can be installed on the bottom (downfiring) with a suitable plinth if you wish to raise the driver position.  
3/ with an added longitudinal brace 15mm plywood is sufficient (keep internal dimensions)

