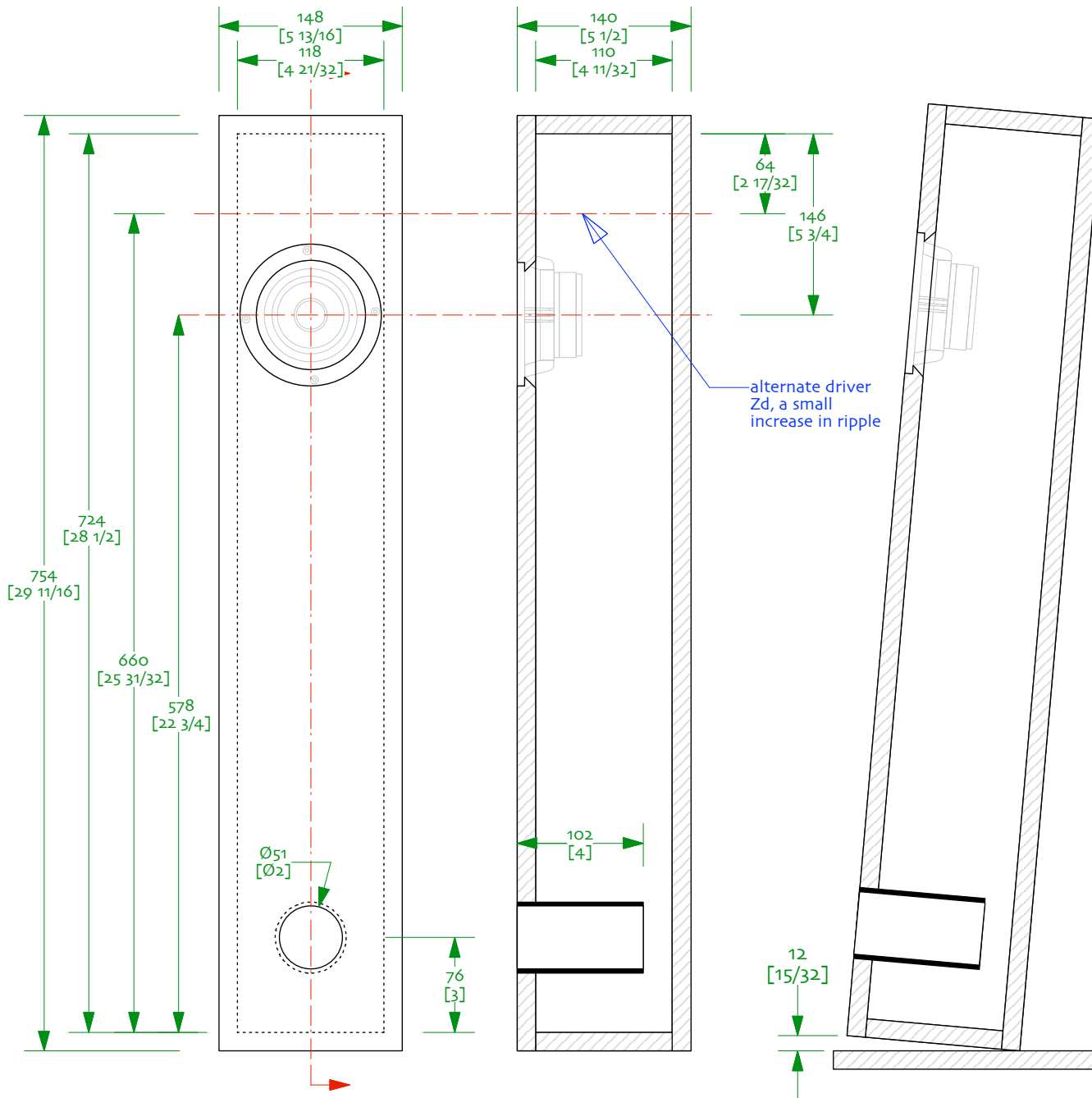
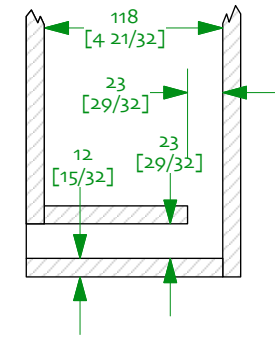




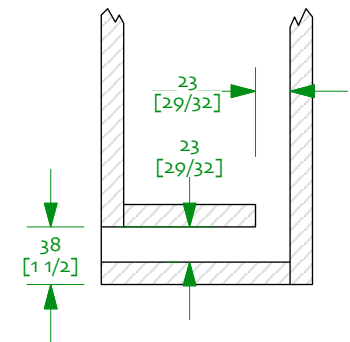
Sasquatch ML-TL ov83
 Alpair 6.2m/p | Sheet 0 – 15mm plans
 designed by Scott Lindgren | drawn by dld
 © 2012-18 Woden Design | 27-january-2018
 free for non-commercial use



Notes:
 0/ drawn with 15mm material
 1/ good multi-ply recommended
 2/ box lined on all faces or stuffed 0.4lbs ft³
 dacron throughout (2.12 oz/ 60 grams)



slot vent
 with 12mm box
 turned 90° so
 110mm internal
 width, 118mm depth
 (for graham)



slot vent
 box height now
 792mm, driver
 616mm above floor

5° tiltback to aim driver at
 your head when sitting